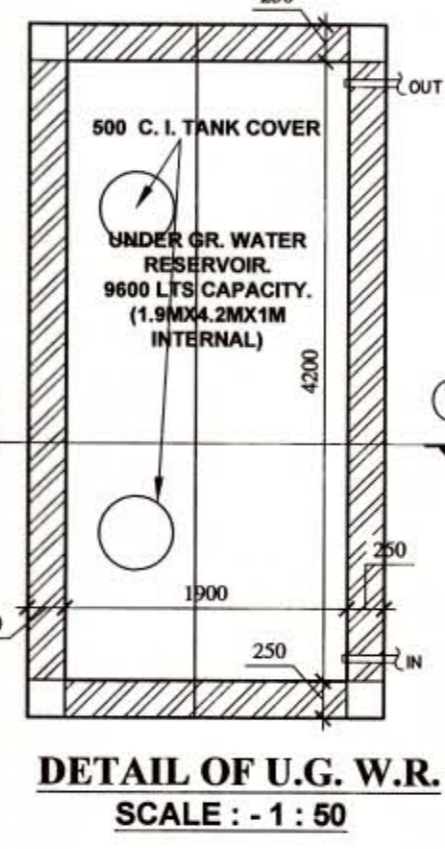
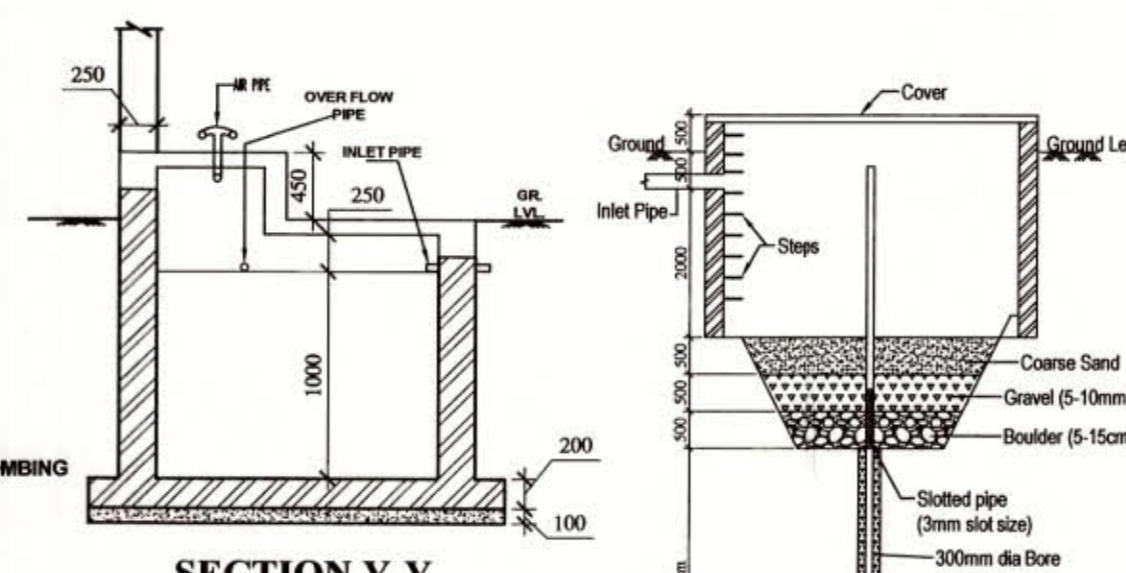


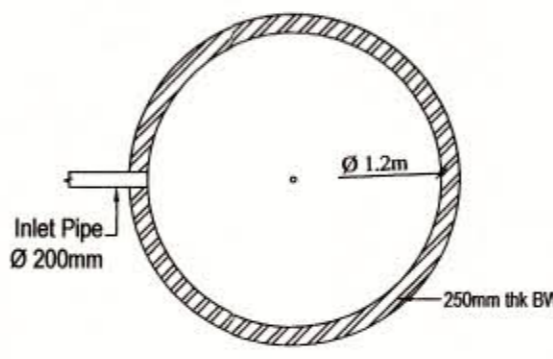
SECTION - Z Z
SCALE - 1:200



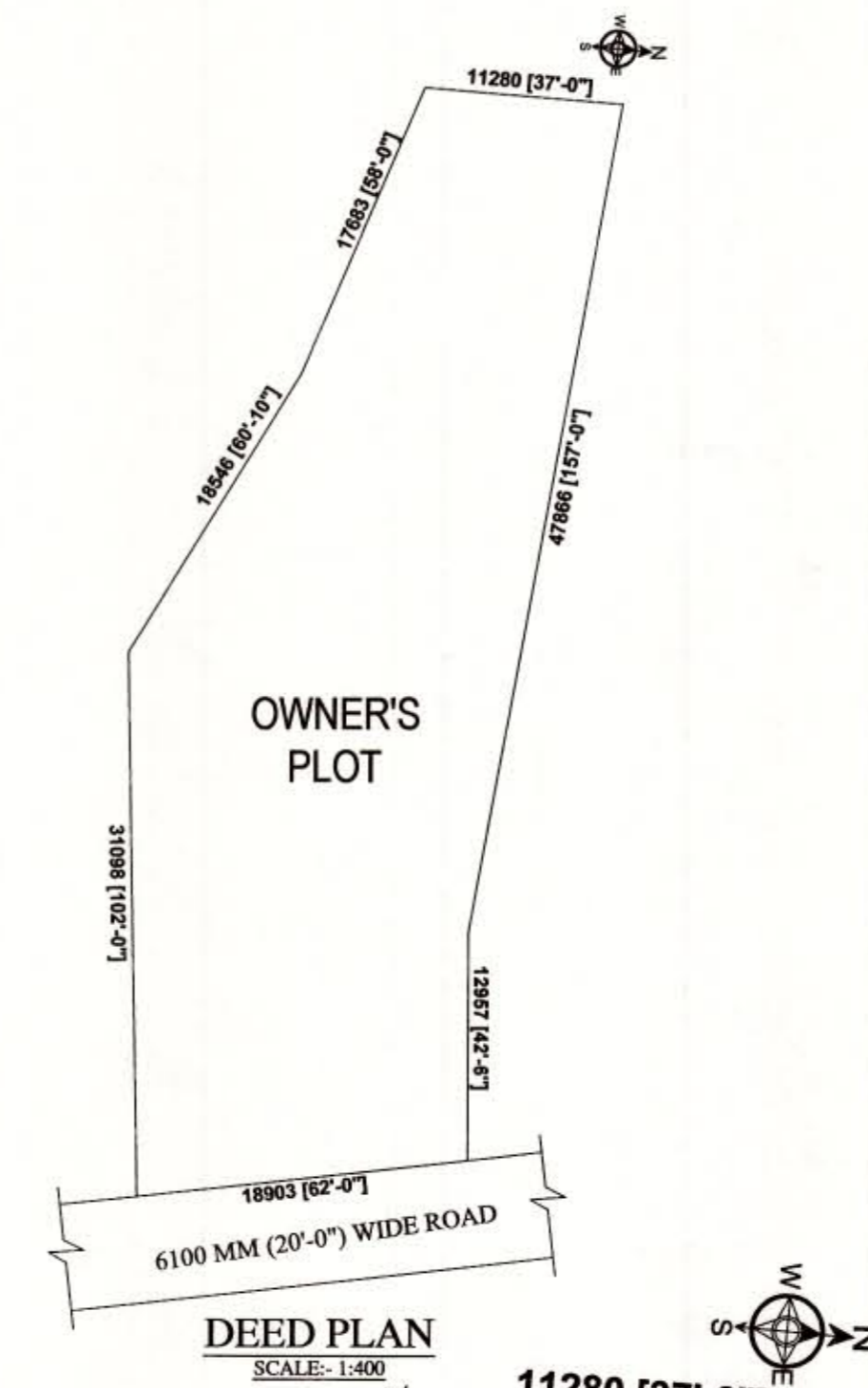
SOAK PIT PLAN
SCALE - 1:200



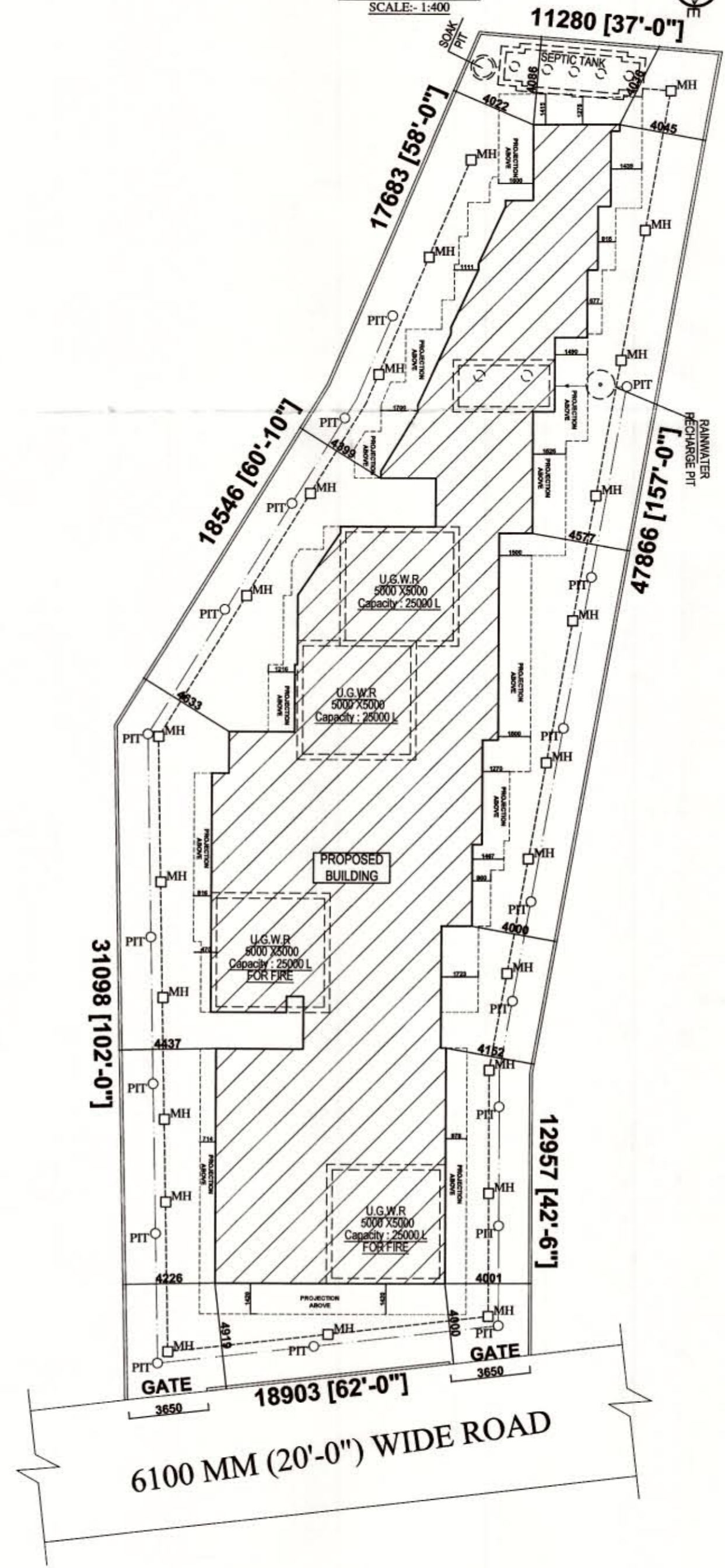
DETAIL OF U.G. W.R.
SCALE : - 1 : 50



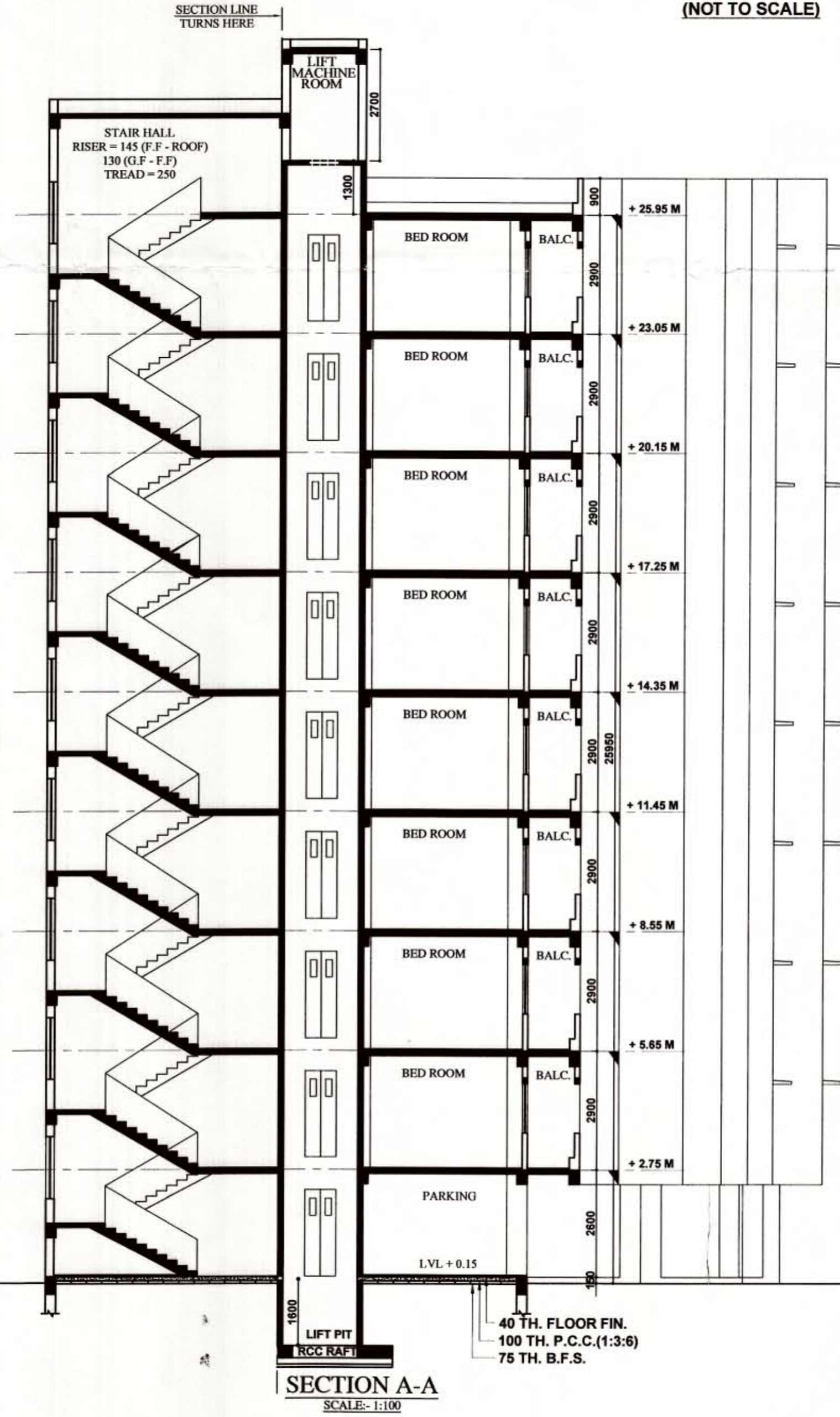
DETAIL OF RAIN WATER
RECHARGE PIT
(NOT TO SCALE)



DEED PLAN
SCALE: 1:400



FRONT ELEVATION
SCALE: 1:100



SECTION A-A
SCALE: 1:100

SCHEDULE OF DOORS & WINDOWS		
MARK	SIZE(MM)	DESCRIPTION
D	1050X2100	PANNEL DOOR
D1	900X2100	PANNEL DOOR
D2	750X2100	PANNEL DOOR
D3	750X2100	P.V.C. DOOR AND FRAME
W	1500X1250	GLAZED WINDOW WITH GRILL
W1	1200X1250	- DO -
W2	900X1250	- DO -
W3	750X600	GLAZED LOUVRES
SW	900X1500	- DO -
EF	300 MM Ø	EXHAUST FAN

- AREA STATEMENT**
- 1.) LAND AREA AS PER DEED: 1093.048 SQ.M/16.335 K
 - 2.) GROUND FLOOR AREA: 457.56 SQ.M/4923.34 SQ.FT(41.86 %)
 - 3.) TYPICAL FLOOR AREA: 586.65 SQ.M/6312.35 SQ.FT
 - 4.) TOTAL TYPICAL FLOOR AREA: 4693.2 SQ.M/50498.83SQ.FT
 - 5.) TOTAL FLOOR AREA (G.F TO 8TH) :- 5150.76 SQ.M/55422.17 SQ.FT
 - 6.) HIEGHT OF THE BUILDING :- 25.95 M
 - 7.) NO OF FLATS:- 56
 - 8.) NO OF PARKING: 22

PLOT DETAILS /ADDRESS : R.S. PLOT NO- 1584(P), L.R. PLOT NO-1830(P) KHATIAN NO- 5046&3139, J.L. NO-91, MOUZA:- ARRAH, P.S.-KANKSA, DIST. -PASCHIM BURDWAN.

- NOTES:-**
1. ALL DIMENSIONS ARE IN mm, CHAINAGE AND LEVELS ARE IN m. UNLESS OTHERWISE NOTED.
 2. ALL STRUCTURAL DRAWINGS BE READ IN CONJUNCTION WITH ARCHITECTURAL DRAWING.
 3. HIEGHT OF THE BUILDING IS 25.95 m.

DATE	SL. No.	SUBMISSION NO.	DRAWN	CHECKED

PROJECT
PROPOSED PLAN FOR NINE (G+8) STORIED RESIDENTIAL APARTMENT

LAND OWNER
1)SRIABHUIJ GHOSH,& 2).SRI.SUVENDU SARKAR

CONSULTANT/ARCHITECT'S SIGNATURE

Jui Chatterjee
AR. JUI CHATTERJEE, ARCH
Registration No : CA/20/134352
Ph : 9434849399, 758593411
4/13, Suhata Commercial Complex,
City Centre, Durgapur - 713216

JUI CHATTERJEE
(COA REG. NO - CA/2021/134352)

LAND OWNERS' SIGNATURE :

Avijit Ghosh.
Suman Suman

vide Memo- 85/P.A.P. 81- 11/23

APPROVED
Pradhan 6/10/23
Melandighi Gram Panchayat

TITLE ARCHITECTURAL DRAWING SHOWING GROUND FLOOR PLAN, TYPICAL FLOOR PLAN, ROOF PLAN, SECTION, ELEVATION, SITE & DEED PLAN OF G+8X STORIED RESIDENTIAL APARTMENT.	DRAWN SIC
DRG. NO.: CC/APT_KUN/01-22	CHECKED SIC
SHEET NO.: 2 OF 2	SCALE 1:50, 1:200, 1:25, 1:100